



**Muncie®
Power
Products**

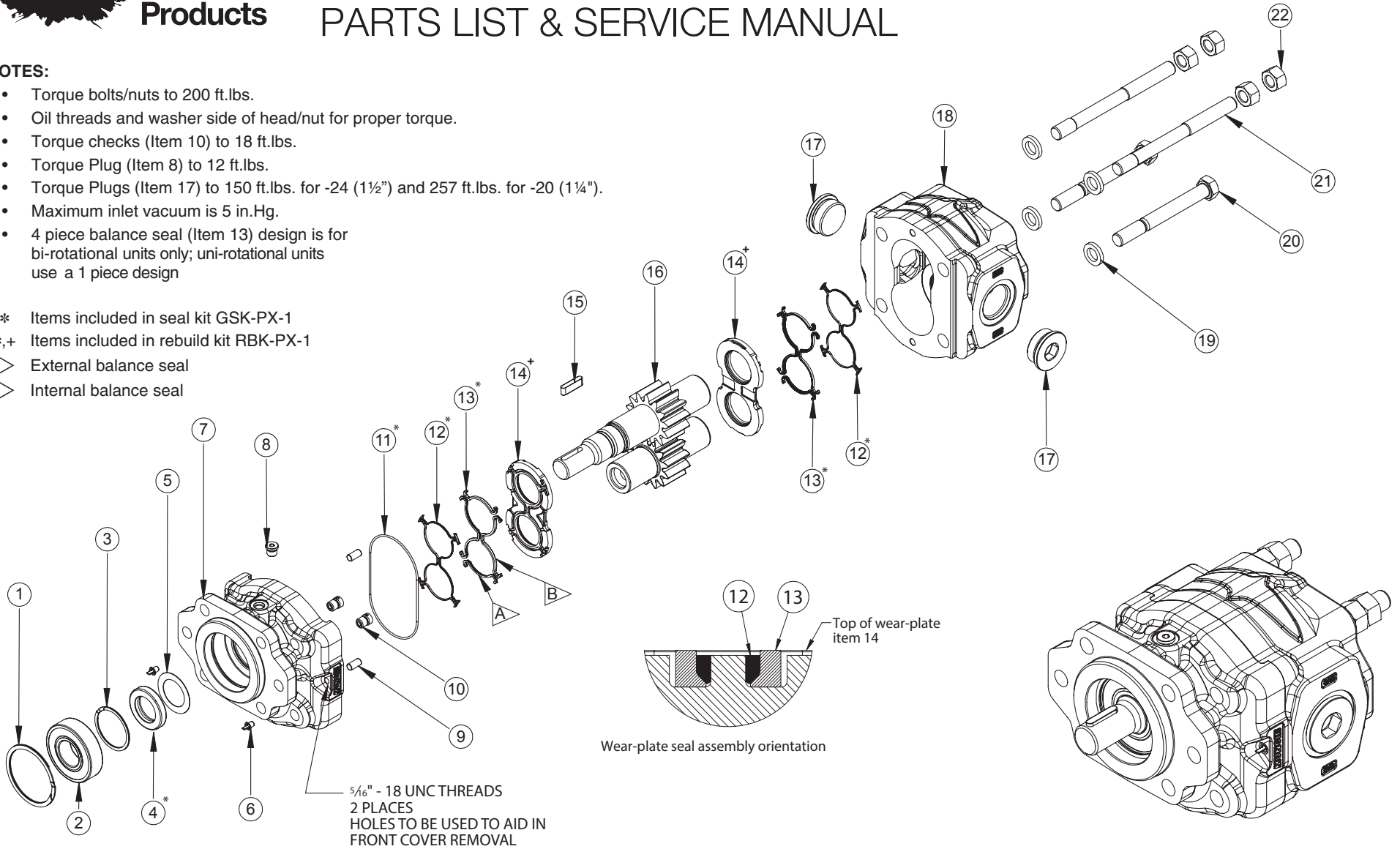
OPTIMUM X SERIES

PARTS LIST & SERVICE MANUAL

NOTES:

- Torque bolts/nuts to 200 ft.lbs.
- Oil threads and washer side of head/nut for proper torque.
- Torque checks (Item 10) to 18 ft.lbs.
- Torque Plug (Item 8) to 12 ft.lbs.
- Torque Plugs (Item 17) to 150 ft.lbs. for -24 (1½") and 257 ft.lbs. for -20 (1¼").
- Maximum inlet vacuum is 5 in.Hg.
- 4 piece balance seal (Item 13) design is for bi-rotational units only; uni-rotational units use a 1 piece design

- * Items included in seal kit GSK-PX-1
- *,+ Items included in rebuild kit RBK-PX-1
- ▷ External balance seal
- ▽ Internal balance seal



**Muncie®
Power
Products**

A Member of the Interpump Group

SP12-01 (Rev. 02-22)

201 East Jackson Street, Muncie, Indiana 47305
800-367-7867 • Fax: 765-284-6991 • info@munciepower.com

Specifications are subject to change without notice. Visit www.munciepower.com for warranties and literature. All rights reserved. © Muncie Power Products, Inc. (2012)

