

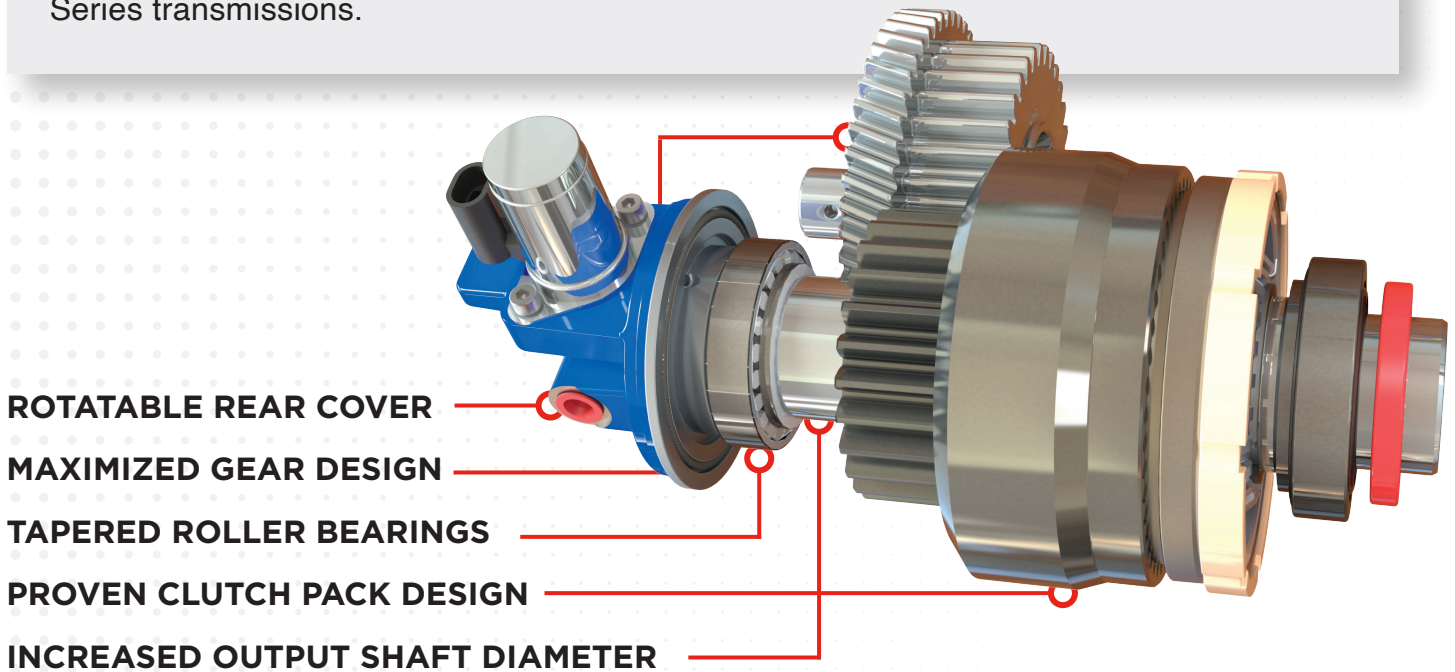
# A20 & A30 SERIES POWER TAKE-OFFS

DESIGNED FOR ALLISON  
3000 & 4000 SERIES  
TRANSMISSIONS



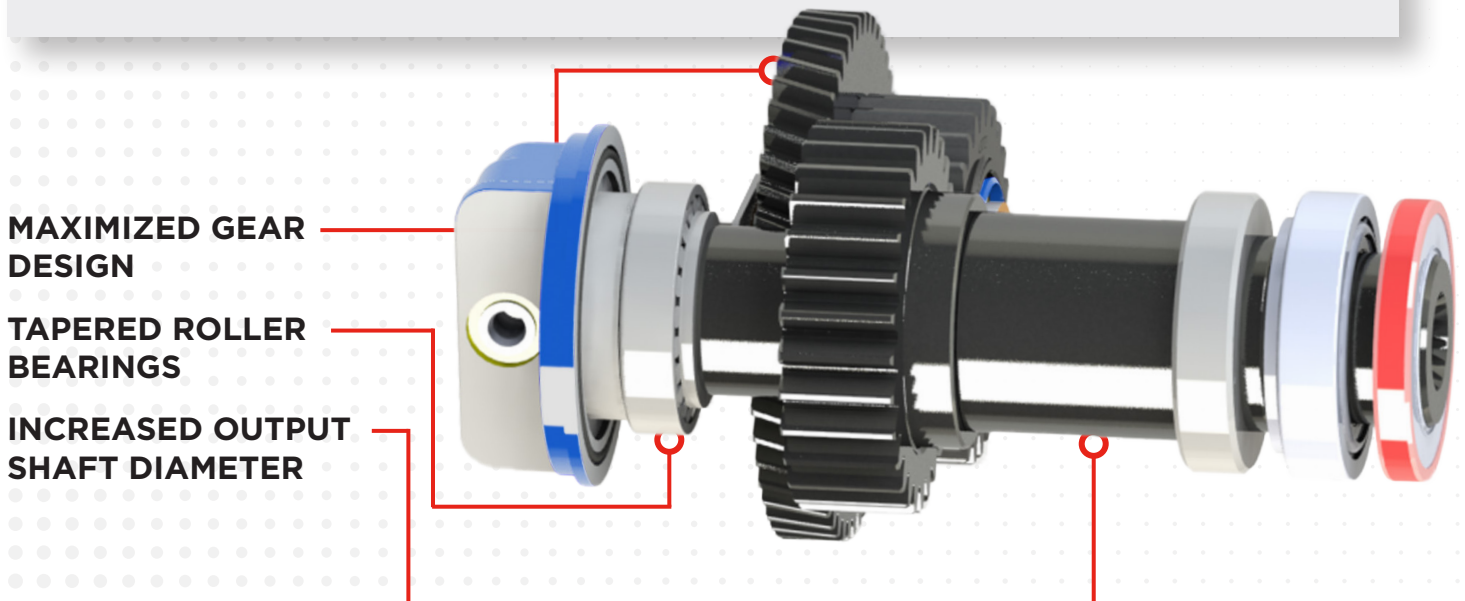
## A20 SERIES POWER TAKE-OFF

**THE A20 IS THE NEW 10-BOLT MEDIUM-DUTY, CLUTCH SHIFT PTO** rated for up to 415 lbs.ft. torque intermittent/continuous and features various product improvements allowing for easier installation and a more durable PTO for Allison 3000 and 4000 Series transmissions.



## A30 SERIES POWER TAKE-OFF

**THE A30 IS THE NEW 10-BOLT MEDIUM-DUTY, CONSTANT DRIVE PTO** designed as a functional replacement to front, crankshaft-driven hydraulic pump applications, and boasts up to 415 lbs.ft. torque intermittent/continuous for heavy duty applications.



## KEY FEATURES

- New Rotatable pump flange
- Increased clearance for easier installation
- Shift cover allowing 360-degree rotation
- Tapered roller bearings increasing PTO life
- Increased output shaft diameter for higher durability
- Reduced leak paths
- Maximized gear design for noise reduction
- Single intermittent/continuous torque rating
- Three housing arrangements
- Extended length PTO mounting fasteners
- Compatible with EX Drive shaft extension
- A20 available with **Muncie Start®** to eliminate torque spikes
- Tool kit available for easier installation

## TARGET MARKETS

- Class 7–8 trucks with automatic transmissions
- Dump
- Fire
- Refuse
- Utility
- Tow & Recovery
- Snow & Ice
- Bulk Hauling

## INSTALLATION TOOL KIT

Created for Muncie Power Products' A20 and A30 Series PTOs. Available to order.

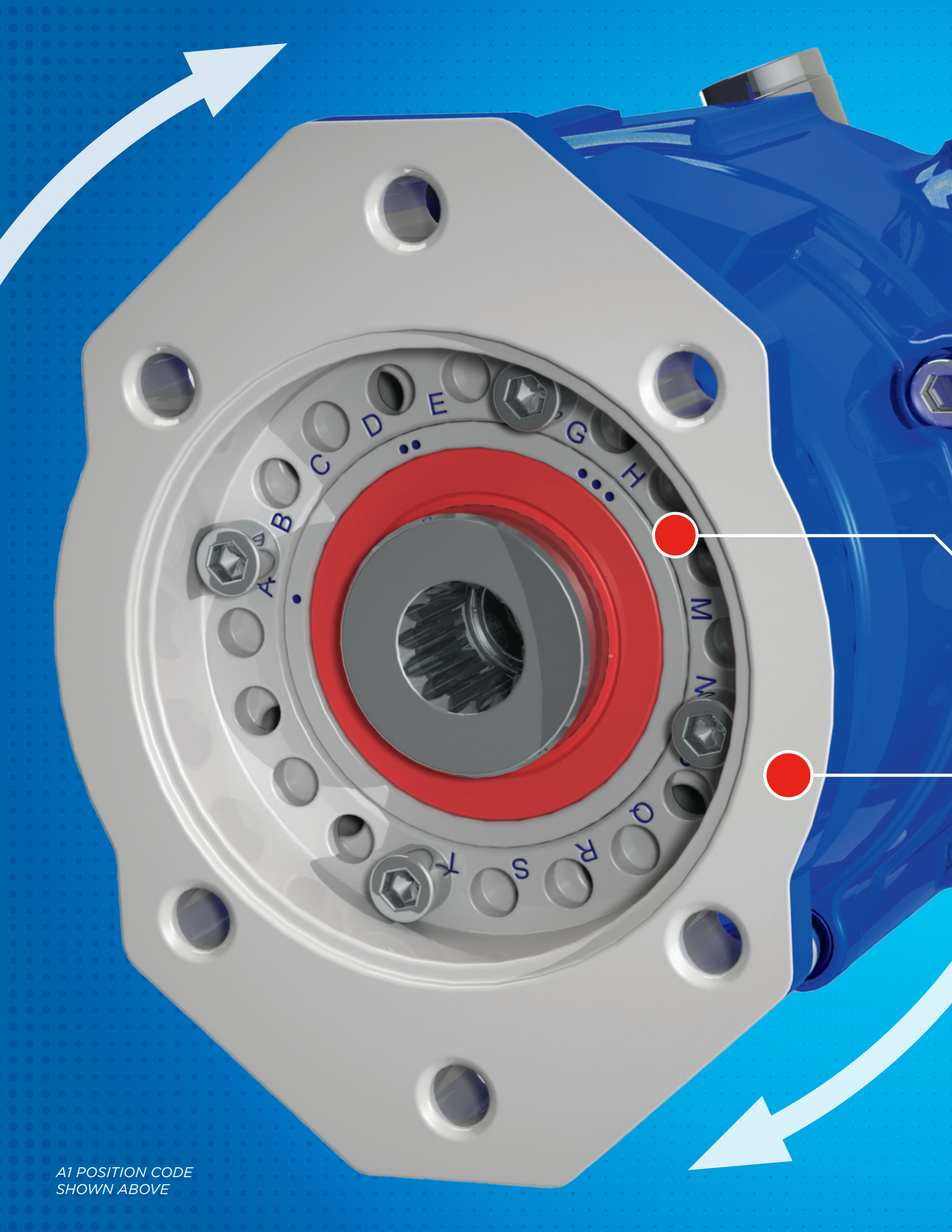
- Kit # 49TK6580: Torque wrench, tool bag, and all required tools
- Kit # 49TK6581: Tool bag and all required tools (without torque wrench)



## PTO TORQUE & HORSEPOWER RATINGS

SPEED RATIO	3000 SERIES ENGINE %	4000 SERIES ENGINE %	INTERMITTENT/ CONTINUOUS HP (KW) @ 1,000 RPM	INTERMITTENT/ CONTINUOUS TORQUE LBS.FT. (NM)
05	74 %	105 %	77 (57)	400 (542)
06	85 %	122 %	77 (57)	400 (542)
07	99 %	141 %	79 (59)	415 (563)
08	114 %	163 %	69 (51)	360 (488)
09	122 %	175 %	65 (48)	340 (461)
10	131 %	187 %	59 (44)	310 (420)
11	151 %	215 %	52 (39)	275 (373)
12	162 %	231 %	50 (37)	265 (359)
15	201 %	287 %	39 (29)	205 (278)

Approximate Weight: A20 Series 47 lbs. (21 Kg.) and A30 Series 38 lbs. (17 kg)



A1 POSITION CODE  
SHOWN ABOVE



# A20 & A30 SERIES

## EASIER INSTALLATION

- New rotatable flange for easy pump mounting
- Housing design allows for easier access to mounting bolts
- Extended mounting bolts
- No external hoses to work around
- Installation tool kit available

## ROTATABLE FLANGE

- Stamped with position codes
- 30 unique positions allows for optimal clearance
- More flexibility when mounting pumps
- Flange is easily adjustable without seal disturbance
- Can be shipped loose or at a specific position code for quicker mounting

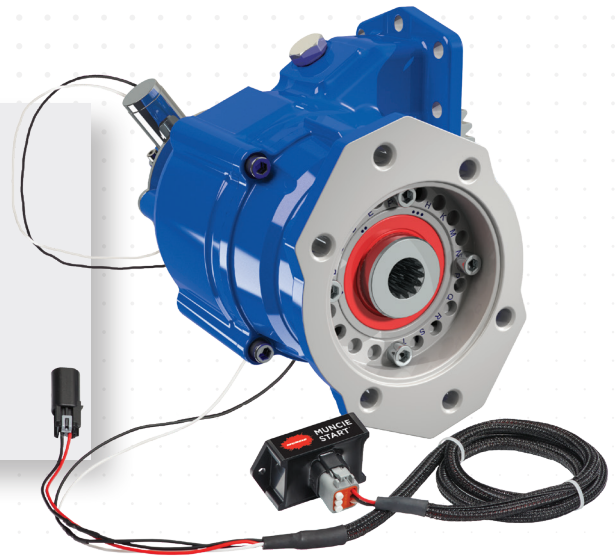
## MUNCIE START®

Use Shift Code:

SX – 12 V **Muncie Start®** Integral

SR – 12 V **Muncie Start®** Remote Mount

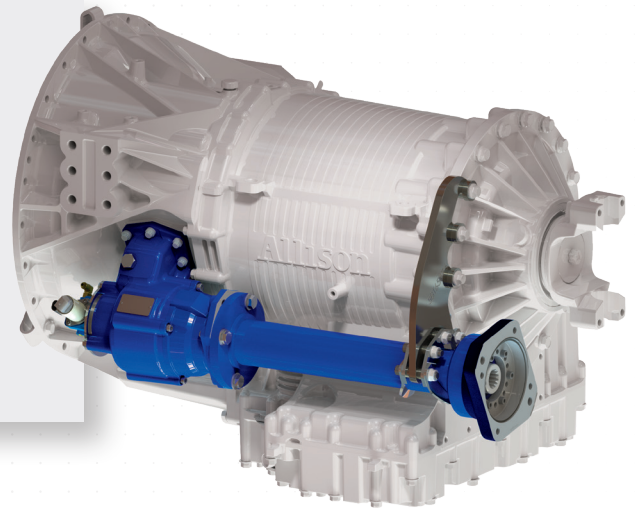
*\*Only available for A20*



## EX DRIVE SHAFT EXTENSION

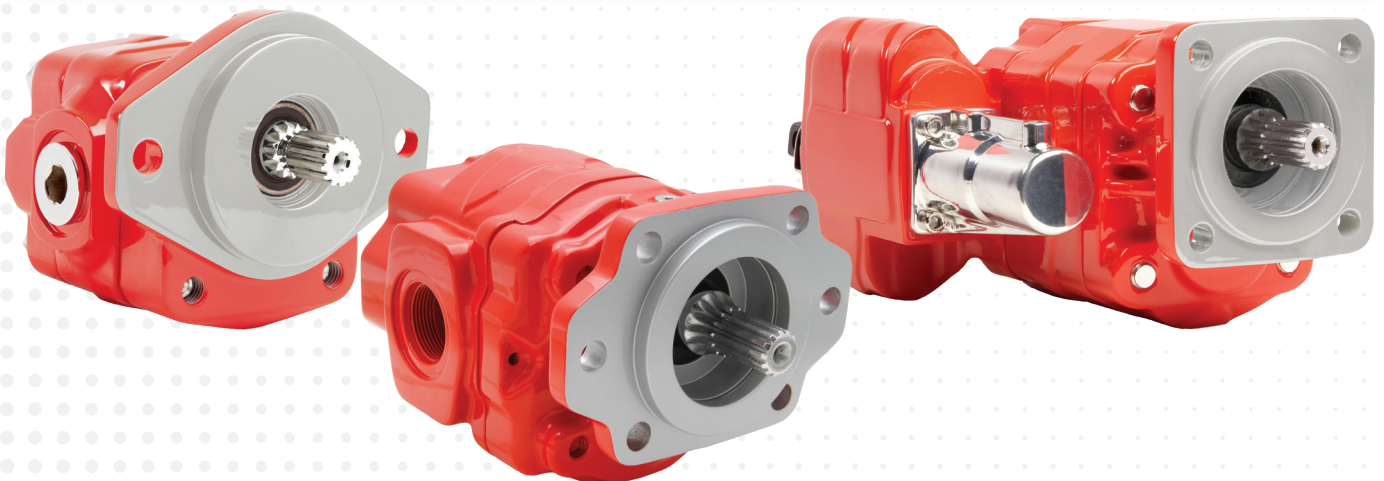
Designed to fit on Allison 3000 and 4000 Series transmissions with or without a retarder or cooler, allows for large gear or piston pumps to be direct mounted.

This ability to be direct mounted eliminates the need for timely driveline installations. Providing maximum torque from the PTO, the shaft extension is available for the A20 and A30 Series PTOs.



## COMPATIBLE PUMPS

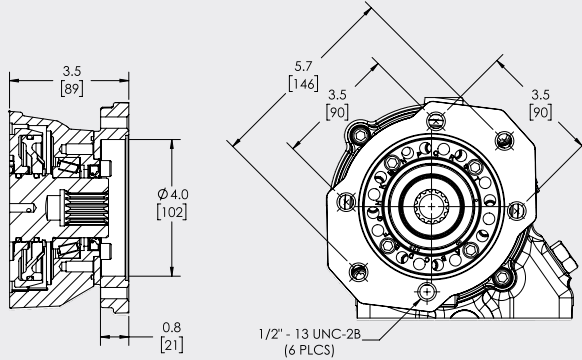
The A20 and A30 Series PTOs are compatible with numerous Muncie Power gear pumps. Gear pumps are available in a wide variety of pump sizes and designs dependent on your application requirements. With bushing design, roller bearing design, and the availability to fit small to high flow rates, our pumps are designed to improve system reliability.



## OUTPUT OPTION DIMENSIONS

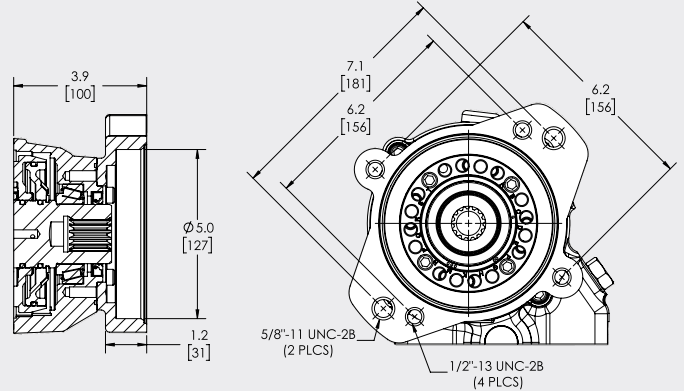
### SAE "B" 2- & 4- BOLT FLANGE

"BB" OUTPUT - SAE "B" 7/8" -13T SHAFT  
 "CB" OUTPUT - SAE "C" 1 1/4" -14T SHAFT  
 "PB" OUTPUT - SAE "BB" 1" -15T SHAFT  
 "ZB" OUTPUT - SAE "C" 1 1/4" -14T SHAFT



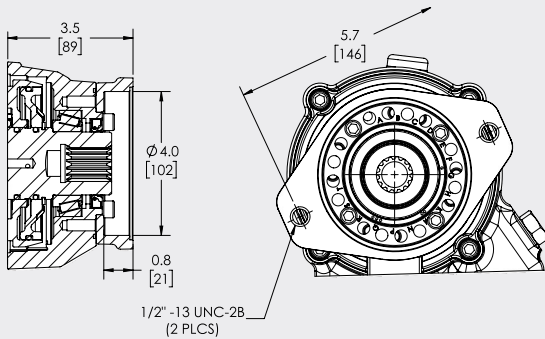
### SAE "C" 2- & 4-BOLT FLANGE

"CC" OUTPUT - SAE "C" 1 1/4" -14T SHAFT



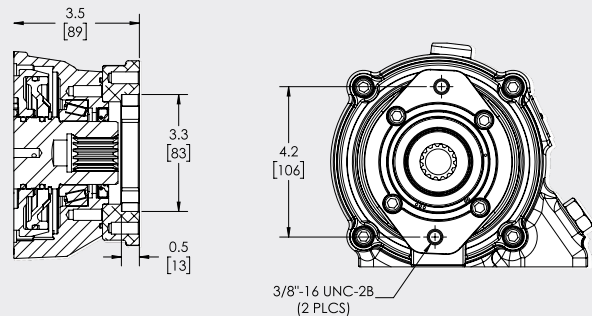
### SAE "B" 2-BOLT FLANGE

"BS" OUTPUT - SAE "B" 7/8" -13T SHAFT  
 "PS" OUTPUT - SAE "BB" 1" -15T SHAFT



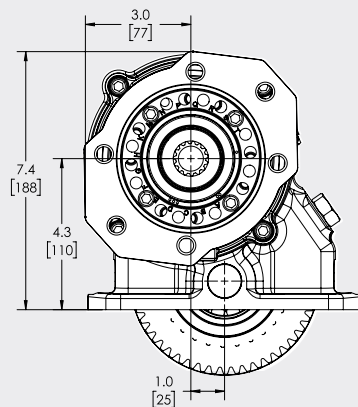
### SAE "A" 2-BOLT FLANGE

"AA" OUTPUT - SAE "A" 5/8" -9T SHAFT  
 "BA" OUTPUT - SAE "B" 7/8" - 3T SHAFT  
 "TA" OUTPUT - SAE 3/4" -11T SHAFT

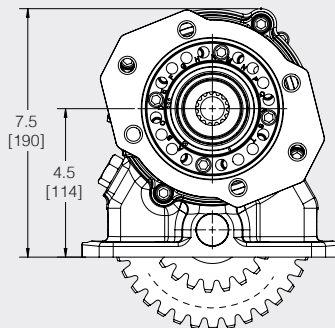


## ASSEMBLY ARRANGEMENT DIMENSIONS

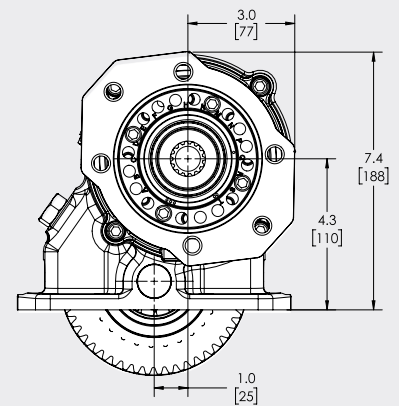
"3" Arrangement



"5" Arrangement



"1" Arrangement



# A20-A10 07-HX 3 BB PX XX

## PTO Types

- A20 — Clutch Shift 10-Bolt
- A30 — Constant Drive 10-Bolt

## Transmission Input Gear Option

- A10 — Allison 3000/4000 Series

## Speed Ratios

- 05 — .54:1
- 06 — .63:1
- 07 — .73:1
- 08 — .84:1
- 09 — .90:1
- 10 — .97:1
- 11 — 1.11:1
- 12 — 1.19:1
- 15 — 1.48:1

## Shift Types

- HX — 12 V Electric/Hydraulic 2015-2020
- HR — 12 V Electric/Hydraulic Remote Mount
- JX — 24 V Electric/Hydraulic
- JR — 24 V Electric/Hydraulic Remote Mount
- XX — Electric/Hydraulic w/o Activation Components
- RX — 12 V Reduced Harness (Wiring Pigtails Only)
- SX — 12 V Muncie Start® Integral
- SR — 12 V Muncie Start® Remote Mount
- HH — 12V Electric/Hydraulic Hino 2020 & Older
- H2 — 12V Electric/Hydraulic Hino 2021 & Newer
- J2 — 24V Electric/Hydraulic Hino 2021 & Newer
- S2 — 12 V Muncie Start® Hino 2021 & Newer
- RS — Reduced Harness Muncie Start®
- MX — Constant Drive\*\*\*\*

## Notes:

- \* Wet Spline Option Available
- \*\* Special Flange Arrangement Example: A1 or T3: for proper code selection adjust flange to the ideal position and note the letter that aligns centered with the marked dots.
- \*\*\* Use with Shaft Extension
- \*\*\*\* Required for A30 Series PTO, not available for A20
- \*\*\*\*\* Not available for A30

## Flange Position Codes\*\*

- A1-T3— Custom Flange Position
- XX— Flange Shipped Loose
- Blank— Default Position

## Special Features

- PX— Standard Hose Kit
- PW— Wet Spline w/Standard Hose Kit\*\*\*
- BX— Top Opening Hose Kit
- BW— Top Opening Hose Kit Wet Spline
- US— Pulse Generator & SPD-2000
- UX— Pulse Generator & Standard Hose Kit
- UB— Pulse Generator & Top Opening Hose Kit
- XX— Delete Hose Kit

## Output Types

- 1X— 1¼" Round Keyed Shaft
- 2I— DIN 5462 with Tapped Hole\*\*\*\*\*
- AA— SAE "A" ¾" -9T, SAE "A" 2-Bolt\*\*\*\*\*
- BA\*— SAE "B" ¾" -13T, SAE "A" 2-Bolt
- BB\*— SAE "B" ¾" -13T, SAE "B" 2- & 4-Bolt
- BS\*— SAE "B" ¾" -13T, SAE "B" 2-Bolt
- CB\*— XSMC Shaft Extension Mount\*\*\*
- CC\*— SAE "C" 1¼" -14T, SAE "C" 2- & 4-Bolt II— DIN 5462
- PB\*— SAE "BB" 1" -15T, SAE "B" 2- & 4-Bolt
- PS\*— SAE "BB" 1" -15T, SAE "B" 2-Bolt
- TA— ¾" -11T, SAE "A" 2-Bolt
- X2— 1½" -10T, DIN 100 Companion Flange
- X4— 1½" -10T Male, 1410 Companion Flange
- XX— 1½" -10T Male, for Companion Flange
- ZB— SAE "C" 1¼" -14T, SAE "B" 2- & 4-Bolt

## Assembly Arrangements

- 1— Right Side Shaft Low
- 3— Left Side Shaft Low
- 5— No Offset (Straight Out From Opening)

## \*\* SPECIAL FLANGE ARRANGEMENT

For proper code selection adjust flange to the ideal position and note the letter that aligns centered with the marked dots.

Example A1 or T3



A Member of the Interpump Group

MP21-02 (Rev. 01-24)

201 East Jackson Street • Muncie, Indiana 47305  
 800-367-7867 • Fax 765-284-6991 • info@munciepower.com • www.munciepower.com  
 Specifications are subject to change without notice. Visit www.munciepower.com  
 for warranties and literature. All rights reserved. © Muncie Power Products, Inc. (2020)